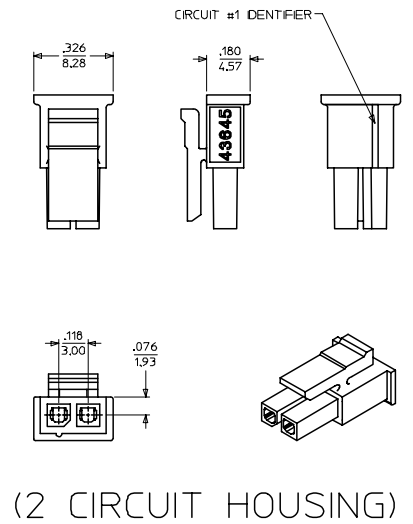
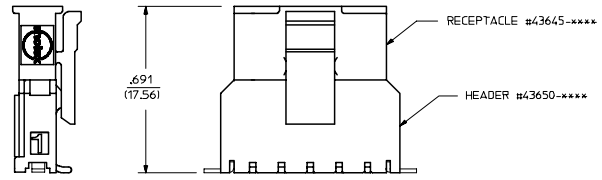


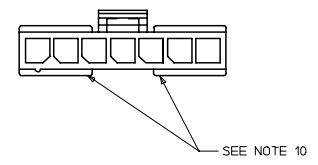
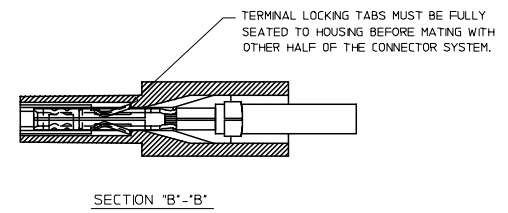
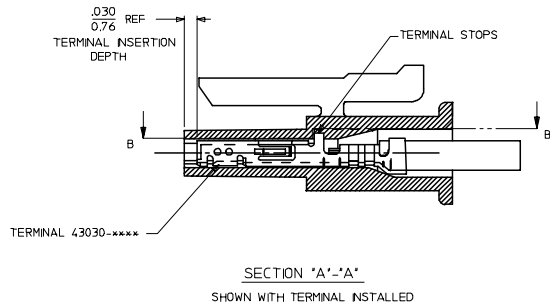
(3-12 CIRCUIT HOUSING)



ITEM NUMBER	NUMBER OF CIRCUIT	DM. "A"	DM. "B"
43645-0200	02	SEE DETAIL	.118/(3.00)
43645-0300	03	.388/(9.85)	.236/(6.00)
43645-0400	04	.506/(12.85)	.354/(9.00)
43645-0500	05	.624/(15.85)	.472/(12.00)
43645-0600	06	.742/(18.85)	.591/(15.00)
43645-0700	07	.860/(21.85)	.709/(18.00)
43645-0800	08	.978/(24.85)	.827/(21.00)
43645-0900	09	1.096/(27.85)	.945/(24.00)
43645-1000	10	1.215/(30.85)	1.063/(27.00)
43645-1100	11	1.333/(33.85)	1.181/(30.00)
43645-1200	12	1.451/(36.85)	1.299/(33.00)



MATED MICRO-FIT CONNECTOR



- NOTES:**
- MATERIAL : POLYESTER (PBT), UL94V-0, COLOR - BLACK
 - FINISH : N/A
 - PRODUCT SPECIFICATION : PS-43650
 - THIS RECEPTACLE ACCEPTS MOLEX MICRO FIT FEMALE CRIMP TERMINALS ONLY. SEE MOLEX DRAWING SD-43030-XXXX FOR SPECIFICATIONS.
 - SEE SECTION 'A'-A' FOR TERMINAL ORIENTATION IN HOUSING.
 - FOR OVERMOLDING PARAMETERS SEE ENGINEERING SPECIFICATION #SDES-43025-1000.
 - THIS RECEPTACLE MATES WITH MOLEX PCB HEADER 43650 SERIES AND MOLEX PLUG 43640 SERIES (WIRE TO WIRE APPLICATIONS).
 - SOME HOUSINGS MAY HAVE A SMALL GATE BLEMISH NEAR THE GATE LOCATION THAT DOES NOT AFFECT FUNCTIONALITY.
 - MOLEX RECOMMENDS THE USE OF MICRO-FIT TEST PLUG, SERIES 44242-XXXX WHENEVER CONTINUITY TESTING IS PERFORMED. TEST PLUGS MUST NOT BE USED TO MAKE OR BREAK UNDER LOAD. MOLEX DOES NOT RECOMMEND USING STANDARD MATING COMPONENTS FOR HARNESS TESTING PURPOSES.
 - THIS RIB IS DISCONTINUOUS ON CIRCUIT SIZES 7 THROUGH 12.
 - PART CONFORMS TO CLASS 'B' REQUIREMENTS OF COSMETIC SPECIFICATION PS-45499-002.

UPDATE NOTE 8 DEC NO. UCP2008-0920 DRAWN BY: J.P.P. 2007/10/23 CHKD BY: S.M.S. 2007/10/26 APPR BY: S.M.H. 2007/10/29 REV 1	QUALITY SYMBOLS ▽=0 ▽=0	GENERAL TOLERANCES (UNLESS SPECIFIED) <table border="1"> <tr> <th></th> <th>MM</th> <th>INCH</th> </tr> <tr> <td>4 PLACES ±</td> <td>±</td> <td>±</td> </tr> <tr> <td>3 PLACES ±</td> <td>±.010</td> <td>±.014</td> </tr> <tr> <td>2 PLACES ±</td> <td>±.025</td> <td>±.035</td> </tr> <tr> <td>1 PLACE ±</td> <td>±.035</td> <td>±.045</td> </tr> <tr> <td colspan="3">ANGULAR ±1/2°</td> </tr> </table>		MM	INCH	4 PLACES ±	±	±	3 PLACES ±	±.010	±.014	2 PLACES ±	±.025	±.035	1 PLACE ±	±.035	±.045	ANGULAR ±1/2°			DIMENSION STYLE IN/MM SCALE 4:1 DESIGN UNITS METRIC THIRD ANGLE PROJECTION	DRAWN BY: A.F.G. DATE: 1995/11/15 CHECKED BY: B.A.P. DATE: 1995/11/15 APPROVED BY: R.J.F. DATE: 1995/11/15	TITLE MICRO-FIT (3.0) 2 THRU 12 SINGLE ROW RECEPTACLE
		MM	INCH																				
	4 PLACES ±	±	±																				
	3 PLACES ±	±.010	±.014																				
2 PLACES ±	±.025	±.035																					
1 PLACE ±	±.035	±.045																					
ANGULAR ±1/2°																							
DRAFT WHERE APPLICABLE MUST REMAIN WITHIN DIMENSIONS		SEE CHART		MATERIAL NO. SDA-43645-XXXX DOCUMENT NO. SHEET NO. 1 OF 1																			
THIS DRAWING CONTAINS INFORMATION THAT IS PROPRIETARY TO MOLEX INCORPORATED AND SHOULD NOT BE USED WITHOUT WRITTEN PERMISSION																							
MOLEX INCORPORATED																							